



Only

AIR CONDITIONER
WITHOUT
OUTDOOR UNIT

NEW R32
REFRIGERANT GAS
(GWP 675)

COOL IN THE SUMMER
WARM IN THE WINTER
DESIGN ALL YEAR LONG

Only in



“Onlyin”, the heat pump without outdoor unit combines the evaporating and condensing part in a single unit, normally divided into traditional splits composed by two units

A+/A
TTWIS 310 Z



The advantages

Ideal for historical buildings

Since it has no outdoor unit, its installation does not compromise the aesthetics of the building's façade. Its modern, essential design with a depth of only 17 cm adapts to all types of interiors, for air conditioning "without architectural barriers."

Low consumption

DC Inverter technology makes "Only in" consumption very low. Once the desired temperature has been reached, the units run at minimum power, reducing air outlet speed in the environment, thus significantly reducing electrical consumption.

Less Maintenance

Practically no maintenance is required since the cooling circuit is "sealed" and therefore free of any refrigerant pipes.

Quiet

Thanks to the power used, the internal layout and skilful use of soundproofing materials, "Only in" offers exceptional levels of quiet: it is difficult to tell it apart from a normal wall split unit.

Easy to install

Without an outdoor unit, it can be easily installed on any perimeter wall, even without the presence of a qualified refrigeration installer. Simply drill two 16.2 cm diameter holes in the wall. No need to then lay any pipes which normally connect the indoor and outdoor units.

Remote and on-board control

"Only in" is equipped with a practical, functional remote control. A convenient control panel is also present on-board the machine, from where all settings can be made including the "LOCK" function which locks the keyboard. The "heating" function can also be deactivated from the control panel. "Only in" therefore can operate only in "cold" and can be installed without a condensate drain pipe.



Retractable outer grilles

The tilting outer grilles open only when the unit is running. This guarantees better indoor comfort as it reduces the entry of dust, noise and pollution and requires less maintenance and even less visibility outside. The outer grilles can be painted with the same colour as the façade to almost completely hide its installation.



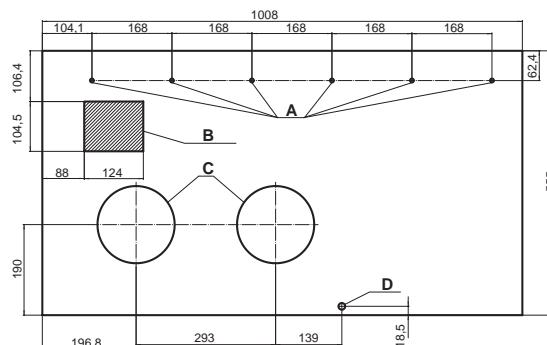
AIR CONDITIONER WITHOUT OUTDOOR UNIT



Technical installation information

- A** Holes for M8 plugs
- B** Area for electrical connection
- C** Holes for Ø160 mm air ducting
- D** Ø14 mm condensate drain

Assembly template, support bracket, pipes for holes and outer grilles are contained inside packaging.



New wall control T-DTW-ST-Modbus

- Cable included (8m)
- Modulating speed
- Touch Screen Interface
- Built-in Modbus port



Model			TTWIS 310 Z
Type			Monobloc double duct - DC-Inverter heat pump
Control			Panel + Remote control
Rated capacity (T=+35°C)	Cooling	kW	2.33
Rated capacity (Dual-Power function)		kW	3.10
Rated absorbed power		kW	0.72
Rated energy efficiency coefficient		EER1	3.25
Seasonal energy efficiency class		626/20112	A+
Dehumidifying capacity		L/h	0.9
Rated capacity (T=+7°C)	Heating	kW	2.31
Rated capacity (Dual-Power function)		kW	3.05
Rated absorbed power		kW	0.71
Rated energy efficiency coefficient		COP1	3.28
Seasonal energy efficiency class		626/20112	A
Electrical data			
Power	Ph-V-Hz		1Ph - 220/240V - 50Hz
MAX absorbed current	A		4.60
Refrigerant circuit			
Refrigerant ³	Type (GWP)		R32 (675)
Quantity (tons CO2)	kg (t)		0.50 (0.338)
Product specifications			
Dimensions	LxDxH	mm	1030x555x170
Net weight		kg	41
Sound power level		dB(A)	58
Sound pressure level	Hi-Lo	dB(A)	41-27
Treated air volume (indoor/outdoor)	Hi	m ³ /h	400/480
	Mi	m ³ /h	320/390
	Lo	m ³ /h	270/340
Operating limit (indoor environment)	Cooling	°C (BS)	18~35
	Heating	°C (BS)	5~27
Operating limit (outdoor environment)	Cooling	°C (BS)	-5~43
	Heating	°C (BS)	-10~24
Installation			
Wall hole diameter	mm		162
Wall hole distance	mm		293
Optional parts			
Decorative foot kit			TTWIS 2200 CINF
Smart Touch + ModBus wall control panel			T-DTW-ST-Modbus

1. Value measured according to harmonised standard EN14511. 2. Delegated Regulation UEN 6.26/2011 with regard to energy labelling indicating the energy consumption of air conditioners. 3. Refrigerant leakage contributes to climate change. When released into the atmosphere, refrigerants with a lower global warming potential (GWP) contribute less to global warming than those with a higher GWP. This appliance contains a refrigerant with a GWP of 675. If 1 kg of this refrigerant fluid were released into the atmosphere, therefore, the impact on global warming would be 675 times higher than 1 kg of CO2, over a period of 100 years. Under no circumstances should the user try to intervene on the refrigerant circuit or disassemble the product. Always contact qualified personnel if necessary.